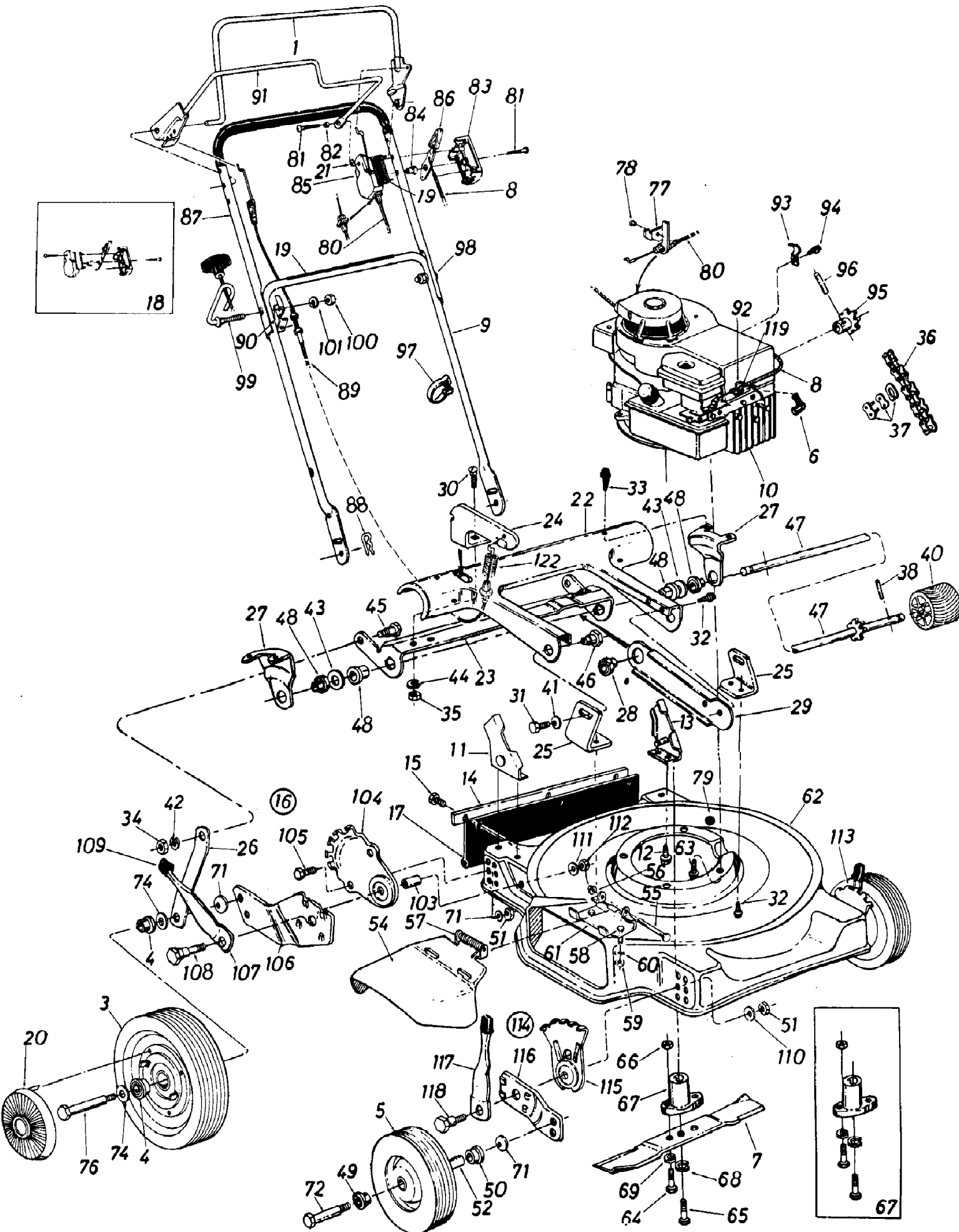


125-222-190 22" ERS Self-Propelled Mower (1985)
Mower Assembly



125-222-190 22" ERS Self-Propelled Mower (1985)
Mower Assembly

Page 2 of 4

Ref #	Part Number	Qty	S/P/F	Description
1	14321	1		Control Handle Ass'y.-L.H.
3	734-1204	1		Rear Wheel Ass'y. Comp. 9 x 1.75
4	741-0180	1	S	Flange Brg. 1/2" I.D.
5	734-0643	1		Front Wheel Ass'y. Comp.
6	735-0639	1	/P	Spark Plug Boot
7	742-0125	1	S	Blade 22"
8	746-0474	1	S	Throttle Wire 53.0"
9	749-0373	1	S	Lower Handle
10		1		Engine
11	12936	1		Handle Brkt. Ass'y. R.H.
12	710-0603	1	/P	Hex Wash. Hd. "B"-Tap Scr. 5/16-18 x .50" Lg.
13	12935	1		Handle Brkt. Ass'y. L.H.
14	14846	1		Retainer Strip
15	710-0776	1	S	Hex AB-Tap Scr. 1/4 x .62" Lg.
16	14762	1		R.H. Height Adj. Comp.
	14763	1		L.H. Height Adj. Comp. (Not Shown)
17	731-0575	1	S	Rear Flap Ass'y.
18	753-0360	1		Kit Control Housing Comp.
19	777-5168	1		Control Labels
20	731-0124	1		Hub Cap
21	736-0931	1	/P	Flat Wash. .203" I.D. x .406" O.D.
22	16319-483	1		Pinion Pivot Cover 22"
23	16332	1		Cam
24	16318	1		Engagement Arm
25	14759	1		Pivot Brkt.
26	16005	1		Link
27	14757	1		Axle Brkt.
28	741-0180	1	S	Flanged Ball Brg. .500" I.D.
29	14877	1		Brg. Support
30	710-0167	1	/P	Carriage Bolt 1/4-20 x .50" Lg.*
31	710-0168	1	/P	Hex Bolt 3/8-16 x .50" Lg.*
32	710-0352	1	/P	Hex "B"-Tap Scr. 1/4" x .38" Lg.
33	710-0776	1	S	Hex Wash. Hd. "AB"-Tap Scr. 1/4" x .62" Lg.
34	712-0267	1	S	Hex Nut 5/16-18 Thd.*
35	712-0287	1	S	Hex Nut 1/4-20 Thd.*
36	713-0311	1	S	#48 Chain 1/2" Pitch 49 Links
37	713-0116	1	S	#48 Master Link (Service Only)
38	715-0246	1	S	Spring Pin Spir. 3/16" Dia. x 1.25" Lg.
40	717-0807	1		Drive Pinion
41	736-0105	1	/P	Bell-Wash. .400" I.D. x .88" O.D. x .060
42	736-0119	1	S	L-Wash. 5/16" I.D.*
43	736-0160	1	S	FI-Wash. .531" I.D. x .930" O.D. x .050
44	736-0329	1	S	L-Wash. 1/4" I.D.*
45	738-0155	1	S	Shld. Bolt .437" Dia. x .162
46	738-0529	1	S	Shld. Nut .625" Dia. x .162
47	738-0530	1		Pinion Shaft w/ 7 Tooth Sprocket
48	741-0484	1	S	Flange Brg. .506" I.D.
49	741-0267	1		Bearing 3/8" I.D.
50	741-0484	1	S	Bearing 1/2" I.D.
51	712-0798	1	/P	Hex Nut 3/8-16 Thd.*
52	750-0434	1	/P	Spacer

125-222-190 22" ERS Self-Propelled Mower (1985)
Mower Assembly

Page 3 of 4

Ref #	Part Number	Qty	S/P/F	Description
54	14944	1	S	Chute Deflector Ass'y. Comp.
55	711-0555	1		Pivot Pin
56	726-0106	1	S	Cap Speed Nut 1/4" Rod
57	732-0253	1		Torsion Spring
58	710-0289	1	S	Hex Bolt 1/4-20 x .50" Lg.*
59	712-0287	1	S	Hex Nut 1/4-20 Thd.*
60	736-0329	1	S	L-Wash. 1/4" I.D.*
61	11130	1		Hinge Plate
62	14999-483	1		22" Deck Ass'y.
63	710-0654	1	S	Hex Wash. Hd. TT-Tap Scr. 3/8-16 x 1.0" Lg.
64	710-0888	1	/P	Hex Bolt 5/16-24 x 1.00" Lg. (Grade 5)
65	710-0331	1	/P	Hex Bolt 3/8-24 x 2.25" Lg. (Grade 5)
66	712-0123	1	/P	Hex Nut 5/16-24 Thd.
67	753-0348	1		Blade Adapter Kit
68	736-0217	1	S	L-Wash. 3/8" I.D. H.D.
69	736-0119	1	S	L-Wash. 5/16" I.D.*
71	736-0105	1	/P	Bell-Wash..40" I.D.
72	710-0347	1	/P	Front Axle Bolt
74	736-0192	1	S	FI-Wash. .531" I.D. x .93"
76	738-0144	1	S	Rear Axle Bolt
77	14924	1		Cable Bracket
78	728-0171	1		Pop Rivet .156" Dia. x .379
79	731-0564	1		Plug
80	746-0476	1	S	Control Cable 39.0"
81	710-0796	1	/P	Truss Mach. Self-Tap Scr. #12 x 1.50" Lg.
82	750-0649	1		Spacer.23" I.D.
83	731-0523	1		Control Panel Half
84	731-0524	1		Control Disc Pin
85	731-0526	1		Clutch Panel Half
86	731-0528	1	S	Throttle Control Lever
87	749-0536	1	S	Upper Handle
88	714-0104	1	S	Hairpin Cotter
89	746-0549	1		Clutch Cable w/ Spring
90	16309	1	S	Cable Mtg. Brkt.
91	16391	1		Drive Control Handle
92	751-0369	1		Casing Clamp
93	12894	1		Casing Clamp
94	710-0429	1	S	Hex "B"-Tap Scr. #10 x .38"
95	713-0308	1		10 Tooth Sprocket Ass'y.
96	715-0247	1	S	Spiral Pin 3/16" Dia. x 1.00"
97	726-0192	1		Cable Tie
98	710-0671	1	S	Curved Hd. Carriage Bolt 5/16-18 x 1.38" Lg.
99	710-0842	1		Rope Guide Bolt
100	712-0267	1	S	Hex Nut 5/16-18 Thd.*
101	736-0119	1	S	L-Wash. 5/16" I.D.*
103	750-0503	1	S	Spacer .395" I.D. x .503" O.D. x .562" Lg.
104	14764	1	S	Index Plate
105	710-0216	1	/P	Hex Bolt 3/8-16 x .75" Lg.*
106	14765	1		Pivot Bar R.H.
	14766	1		Pivot Bar L.H. (Not Shown)
107	732-0417	1	S	Spring Lever (282 Only)
108	738-0528	1		Shoulder Bolt .500" Dia. x 3.75" Lg.
109	720-0190	1		Knob

125-222-190 22" ERS Self-Propelled Mower (1985)
Mower Assembly

Page 4 of 4

Ref #	Part Number	Qty	S/P/F	Description
110	736-0356	1	S	Bell-Wash. .39 I.D. x 1.4 O.D.
111	736-0242	1	/P	Bell-Wash. .336" I.D. x .860 O.D.
112	712-0158	1	S	Hex L-Nut 5/16-18 Thd.
113	14579	1		Height Adj. Ass'y. Comp. L.H.
114	14578	1	/P	Height Adj. Ass'y. Comp. R.H.
115	15261	1	S	Height Adj. Plate
116	15262	1	S	Pivot Bar
117	14832	1	S	Spring Lever Ass'y. w/ Knob
118	738-0507	1	S	Shoulder Bolt .500" Dia. x .375" Lg.
119	710-0227	1	/P	Hex Wash. Hd. AB-Tap Scr. #8 x .38" Lg.
122	732-0306	1	S	Compression Spring .47" O.D. x 1.93" Lg.
	8222-190-5	1		Hardware Pack